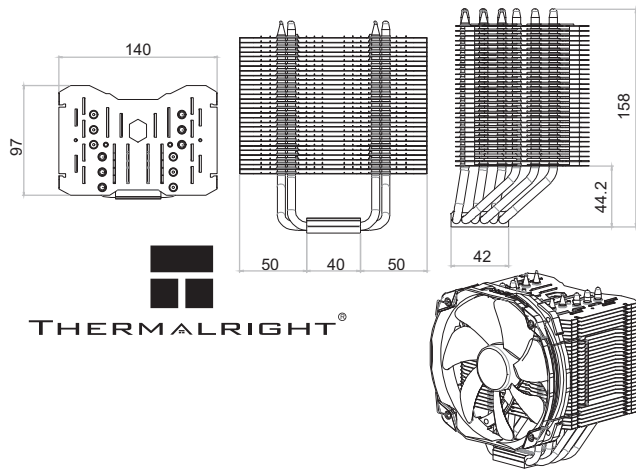


# Macho MAXX Installation Manual | Part List



Please follow the Installation Guide before installing this product.  
 Please do NOT modify or disassemble this product.  
 Please keep this product AWAY from children.  
 Please do NOT use this product for the non-PC environment.  
 Please do NOT apply too much thermal paste will lower heat conductivity and cooling performance!  
 To prevent electrical shocks, please turn off system power and unplug the power of the system before beginning the installation.

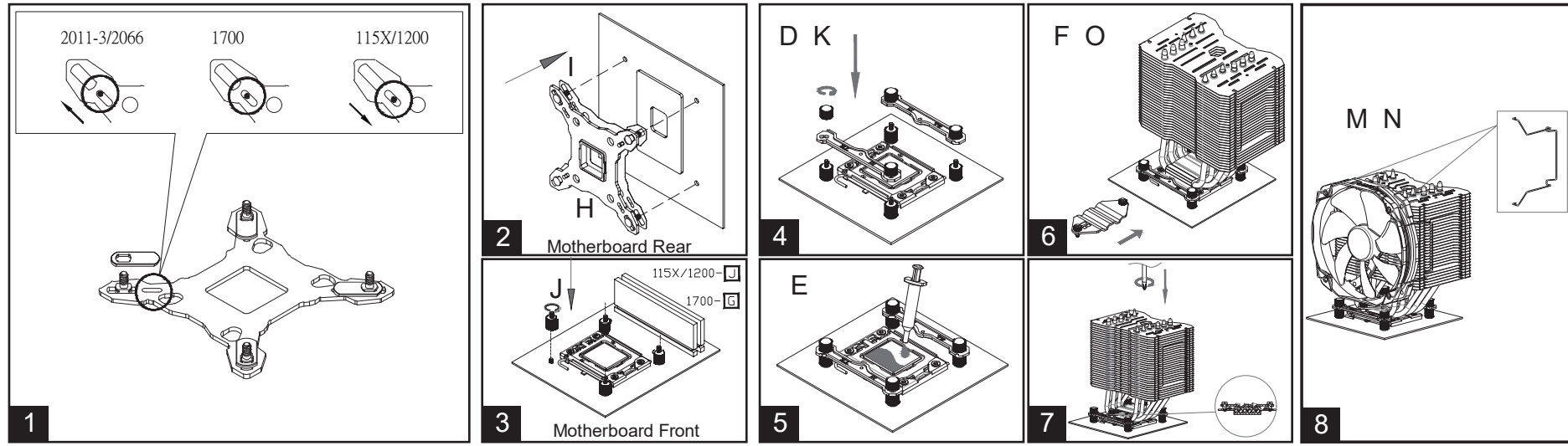
<b>A</b>  Nylon Tube x5	<b>B</b>  6#32 L17 Screw x5	<b>C</b>  AM4 Anchoring Mount (Long) X2	<b>D</b>  Intel Anchoring Mount X2	<b>E</b>  CFX X1	<b>F</b>  Mounting Plate X1
<b>G</b>  LGA1700 Screw Pillars x4	<b>H</b>  Mylar x1	<b>I</b>  Metal Back Plate x1	<b>J</b>  LGA 115x Screw Pillars x4	<b>K</b>  Screw Nut x4	<b>L</b>  LGA2011 Double Head Screw x4
<b>M</b>  fan clips x4	<b>N</b>  D14 X1	<b>O</b>  Macho MAXX			

## AMD AM4/AM5 Platform

<b>1</b>  Motherboard Front	<b>3</b> 	<b>5</b> 	<b>7</b> 
<b>2</b> 	<b>4</b> 	<b>6</b> 	<b>8</b> 

**THERMALRIGHT®**  
 www.thermalright.com  
 Tel: +886-2-2915-5005  
 Fax: +886-2-2915-5123  
 Email: support@thermalright.com

Intel LGA 115x/1200/1700 Platform



Intel LGA 2011/2011-3/2066 Platform

